

I50S Softlight 5600k, 3100k TV broadcast

A new thin size LED studio softlight designed specifically for TV broadcast lighting. Higher than 90 CRI and consistent cool white - 5600k and warm white - 3100k in a soften even output. Conventional cooling without fans to offer a quiet operation environment during TV programme recording.

A big 1075 cm² illuminance output area, 50 degree beam angle for a smooth even output to a far distance object.

Rigid, strong and light weight aluminium body with heavy duty yoke arm. Aluminium heat sink back cover to form an efficient smart internal cooling system.

High performance optical system formed by high quality PMMA convex lens and frost panel filter.

With on board full color LCD display, all necessary data such as DMX address, Intensity, Cd value, CRI, LED/Tungsten mode, Curve type, CCT and internal temperature can be viewed at all times. With the simple "touch and turn" design, all parameters can be easily adjusted.



Features

- Fixed and stable Color Temperature
- High CRI rate, typical 94(3100k), 93(5600k)
- High Television Lighting Consistency Index (TLCI)
- Convection Cooling
- Real time Intensity (Cd) & CRI display
- Selectable LED or "Tungsten" response
- Various Dimming curves available
- Fine detail Color LCD display for all necessary information
- Easy "touch & turn" operation
- Optional accessories available
- PowerCon AC and 5 pin DMX in & thru connectors
- Local and DMX-512A(RDM) control
- CE marked

PHILIPS
Strand Lighting

SPECIFICATION SUBMITTAL

CONSULTANT: <input type="text"/>	PROJECT NAME: <input type="text"/>	MODEL NUMBER QUANTITY: <input type="text"/> <input type="text"/> <input type="text"/> <input type="text"/> <input type="text"/> <input type="text"/>
DATE: <input type="text"/>	PROJECT NUMBER: <input type="text"/>	APPROVED BY: <input type="text"/>

Specifications

Optics

LEDs: 432 mid-power LED
 Lumen: 12000 lm
 Illuminations: 580 lx at 5M
 Beam Angle: 50 degree
 CCT: 3100k +/- 100k
 5600k +/- 300K
 CRI: typ. 94 (3100k)
 typ. 93 (5600k)
 TLCI: >94 (3100k)
 >96 (5600k)

Physical

Signal: 5 pin XLR in, thru connectors ;
 DMX-512A(RDM)
 Power: PowerCon AC in, thru connectors ;
 90 - 240VAC / 150W(max)
 Dimensions : 593mm(W) x 327mm(H) x 117mm (D)
 Weight: 8.4Kg (net body)
 CE Marked
 Complied to EN62471 standard (human Eye and Skin Safety)

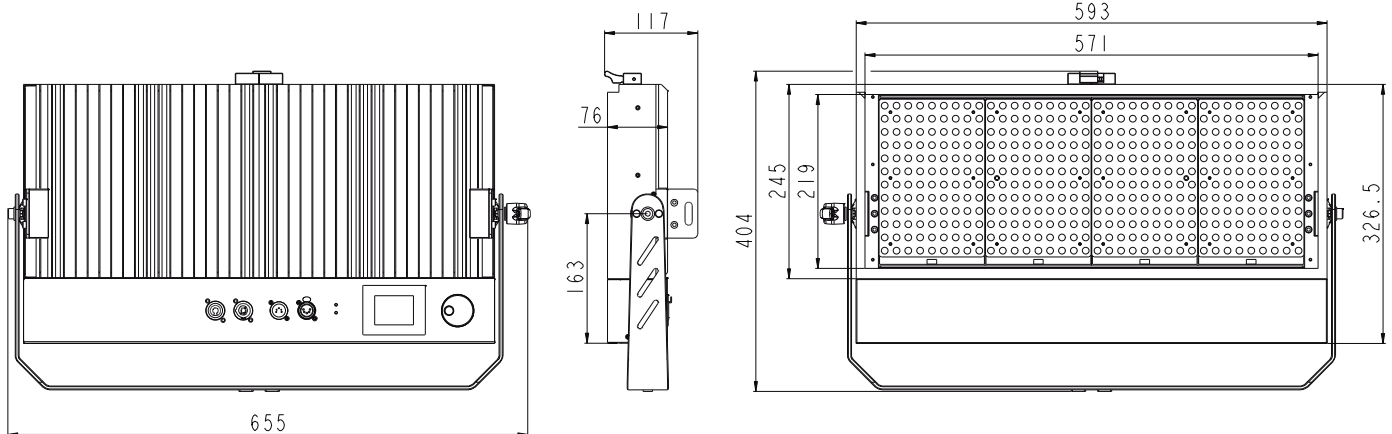
Photometric Information

	Stand alone	20 deg honeycomb	36 deg honeycomb
Beam Angle	50	20	36
Field Angle	88	39	67
Central Intensity	12000Cd	7000Cd(loss 41.7%)	9850Cd(loss 18%)
Illuminance @ 5m	580 lx	320 lx	480 lx

Ordering Information

150S5600k Strand 150S Softlight 5600k TV Broadcast, 100 - 240VAC, CE
 150S3100k Strand 150S Softlight 3100k TV Broadcast, 100 - 240VAC, CE
 150SBD8L Strand 150S 8 - leaf Barn door with filter clip
 150SHC36 Strand 150S Honeycomb - 36 deg
 150SHC20 Strand 150S Honeycomb - 20 deg

Dimensions



Philips Entertainment U.S.
 10911 Petal Street
 Dallas, TX 75238
 Tel: +1 214647 7880
 Fax: +1 214647 8030

Philips Entertainment Lighting Asia Limited
 Unit C, 14/F, Roxy Industry Centre
 No. 41 - 49 Kwai Cheong Road
 Kwai Chung, N.T. Hong Kong
 Tel: +852 27969786
 Fax: +852 27986546

Philips Entertainment Group Europe
 Rondweg Zuid 85
 Winterswijk 7102 JD Netherlands
 Tel: +31 543-542343
 Fax: +31 53 4500425

Philips Entertainment New Zealand
 19 - 21 Kawana Street, Northcote
 Auckland 0627, New Zealand
 Tel: +64 9481 0100
 Fax: +64 9481 0101