

400F LED TV Fresnel

The new Philips Strand Lighting 400F, broadcast-grade Fresnel, provides a world class LED alternative to the traditional 2kW tungsten Fresnel, reducing the power consumption to only 400W. Using an innovative optical and thermal design, this fixture's 10" lens, provides a 12 - 45 degree beam angle delivering 2000 lux more at a 10m distance.

400F LED TV Fresnel offers you the traditional Fresnel look in a light-weight aluminium alloy housing with dark matt black epoxy coating. An easy-to-open front lens door system and quick-to-split lower electronic section allow users easy maintenance and regular monthly cleaning.

Equipped with the smart Strand control User Interface, the color LCD display with 8 soft key and decoder wheel enables intuitive operation. A USB port also allows for future firmware upgrades or performance files download for reference purposes.

The 400F LED TV Fresnel consists of both a tungsten and daylight version, each with either pole-operated or manually-operated controls. The pole-operated version has a focusing knob at the front and manual turning knob at the rear.



Features

- Fixed accurate CCT : Tungsten(3200k) & Day light(5600k) versions
- High CRI, typically 97 (Tungsten light) and 96 (Daylight)
- High Television Lighting Consistency Index > 96 (TLCI)
- Available as Manual (M.O.) and Pole (P.O.) operation yoke models
- Shaft focus design, with manual knob at rear and angled pole operation cup at the front
- 3 selectable FAN modes for complete control - Silent, Brightness, ON
- Response time of "LED" or "Tungsten" modes to match the system
- Built in 3 tungsten dimmer curves for legacy lighting system matching
- Fine detail Color LCD display for displaying user information
- Easy "touch & turn" operation with 8 soft buttons and wheel
- USB port for firmware upgrade and performance log file download
- Local and DMX-512A(RDM) control
- PowerCon AC and 5 pin DMX in & thru connectors
- CE and RCM marked

PHILIPS
Strand Lighting

SPECIFICATION SUBMITTAL

CONSULTANT: <input type="text"/>	PROJECT NAME: <input type="text"/>	MODEL NUMBER QUANTITY: <input type="text"/> <input type="text"/> <input type="text"/> <input type="text"/> <input type="text"/> <input type="text"/>
DATE: <input type="text"/>	PROJECT NUMBER: <input type="text"/>	APPROVED BY: <input type="text"/>

Specifications

Optical System

LEDs: Array high-power LED engine
(Custom made Philips array)

Lumen: 18600 lm

Lens: 250mm(10")

Beam Angle: 12 - 45 degree

CCT: 3200k,+/- 100k(Tungsten model)
5600k,+/- 200k(Day light model)

CRI (Ra): typ. 95 (Tungsten model)
typ. 96 (Day light model)

TLCI: typ. 96 (Tungsten model)
typ. 97 (Day light model)

Electrical Data

Control signal : 5 pin XLR in, thru connectors; DMX-512A(RDM)

Supply Voltage : 90 - 240VAC, Non Dimmed Supply

Power : 380W(max)

Environmental Data

Operation Temp.: 0 to 40 degree C

Humidity Range: 0 to 95% Non-condensing

Ingress Protection: IP20

Compliance: EMC, 2014/30/EU
EN 55015:2015, EN 61547:2009, EN 61000-3-2:2014,
EN 61000-3-3:2013
LVD, 2014/35/EU
EN 60598-1:2015, EN 60598-2-17:1991, EN 61347-2-13:2014,
EN 61347-1:2015, EN 62031:2015

Safety: CE, RCM marked

Approval: CE, RCM marked

Mechanical Data

Construction : Aluminium alloy extrusion & casting

Dimensions : 465mm(W) x 752mm(H) x 421mm (D)

Weight: 1.4kg (body) +
1.4kg (MO yoke)
4kg (PO yoke)

Photometric Information (Ambient temp.: 25 deg C; Fan operation : Silent mode)

	5m		10m		15m	
	Lux	Spot	Lux	Spot	Lux	Spot
Tungsten (12 deg)	7920 lx	0.53m	1980 lx	1.05m	880 lx	1.58m
Tungsten (45 deg)	787 lx	2.1m	197 lx	4.14m	87 lx	6.21m
Day light (12 deg)	8280 lx	0.53m	2070 lx	1.05m	920 lx	1.58m
Day light (45 deg)	866 lx	2.1m	217 lx	4.14m	96 lx	6.21m

Ordering Information

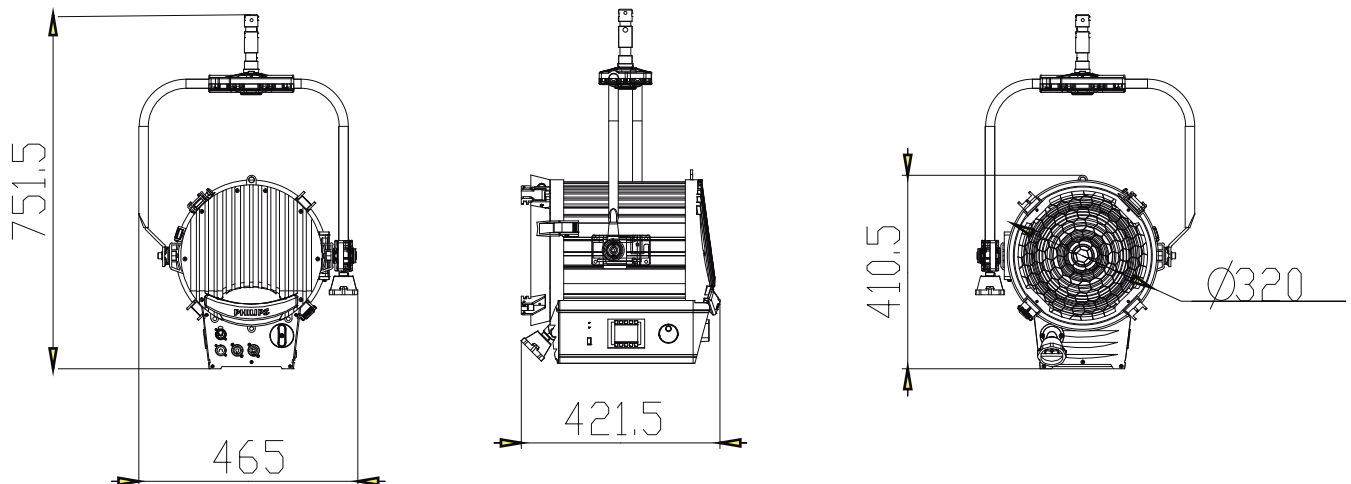
400FTVTUNGMO Strand 400F LEDTV Fresnel Tungsten c/w color frame & 4 leaf barn door; MO

400FTVTUNGPO Strand 400F LEDTV Fresnel Tungsten c/w color frame & 4 leaf barn door; PO

400FTVDAYLTMO Strand 400F LED TV Fresnel Day light c/w color frame & 4 leaf barn door; MO

400FTVDAYLTPO Strand 400F LED TV Fresnel Day light c/w color frame & 4 leaf barn door; PO

Dimensions



Philips Entertainment U.S.
10911 Petal Street
Dallas, TX 75238
Tel: +1 214647 7880
Fax: +1 214647 8030

Philips Entertainment Lighting Asia Limited
Unit C, 14/F, Roxy Industry Centre
No. 41 - 49 Kwai Cheong Road
Kwai Chung, N.T. Hong Kong
Tel: +852 27969786
Fax: +852 27986546

Philips Entertainment Group Europe
Rondweg Zuid 85
Winterswijk 7102 JD Netherlands
Tel: +31 543-542343
Fax: +31 53 4500425

Philips Entertainment New Zealand
19 - 21 Kawana Street, Northcote
Auckland 0627, New Zealand
Tel: +64 9481 0100
Fax: +64 9481 0101

www.strandlighting.com
www.philips-entasia.com
<https://www.facebook.com/Philips-Entertainment-Lighting-Asia-Limited-273805529451338/>

Philips Group 2016
All rights reserved

The Company reserves the right to make any variation in design or construction to the equipment described. E&OE. Philips Entertainment delivers fully integrated lighting solutions; from simple lamps to complete systems designed with the specific needs of the entertainment and specialized display lighting markets.

PHILIPS

Strand Lighting